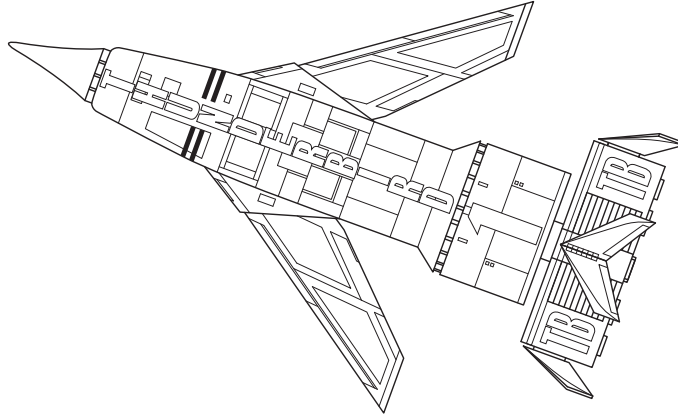


AiP10001

1/144 SCALE THUNDERBIRD 1

A GERRY ANDERSON PRODUCTION
THUNDERBIRDS™



Paint colour references:

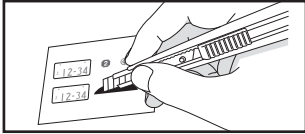
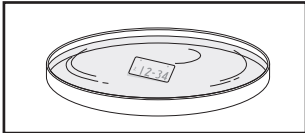
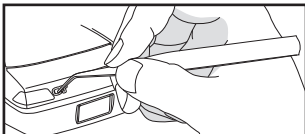
We recommend using the following Humbrol paint colours:
(Paints not included)

- 11** SILVER
- 33** MATT BLACK
- 60** MATT SCARLET
- 89** MATT MIDDLE BLUE
- 140** MATT GULL GREY

The original Thunderbirds television series was produced in a time before CGI and computers. Skilled model makers and technicians created several models in varying scales depending on the shot required in the storyline. This coupled with camera lighting from different angles means the various craft do appear to be different colours in certain scenes. The paint codes provided are a basic guide and we would suggest watching the episodes and referring to the box photo for further detailed information.

How to apply decals:

Waterslide decals are supplied with this model kit.
Please follow these instructions when applying.

- 1**  • Cut out the decal to the required shape using scissors or a craft blade.
- 2**  • Dip the decal in water for 10 to 20 seconds.
- 3**  • Place decal in the desired position and slide it gently from the backing sheet using tweezers.
• Adjust position if required and dry excess water with a soft cloth.

You will also need: (not included)



Plastic
Cement



Sprue
Nipper



Craft
Knife



Tweezers

Symbol guide:

← Glue here

← - - - No glue required



ADVENTURES IN PLASTIC
A Bachmann Europe Production

13 Moat Way, Barwell, Leicestershire, LE9 8EY
01455 841756 • www.bachmann-europe.co.uk

Thunderbirds™ and © ITC Entertainment Group Limited 1964, 1999 and 2020. Licensed by ITV Ventures Limited. All rights reserved. © Bachmann Europe Plc 2019.

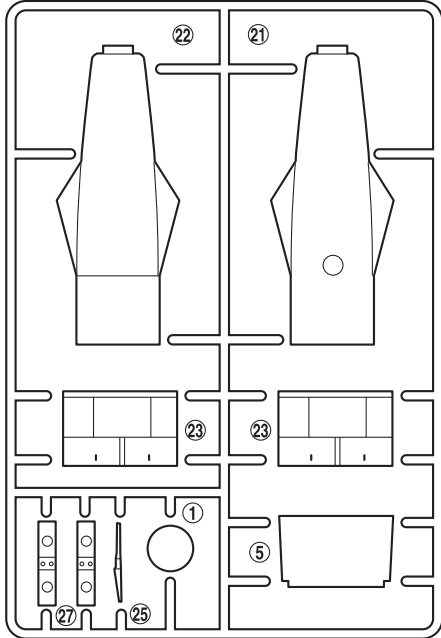


Carefully check the contents of the kit, including parts and decals, before assembly.

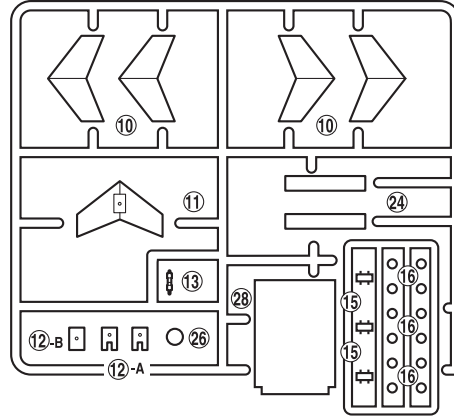
PARTS LIST

This kit does not include paints or glue. Please purchase them separately.

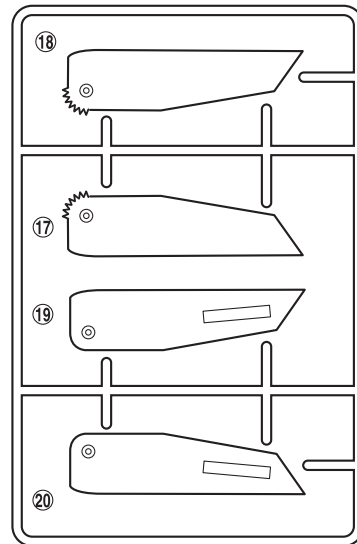
Sprue A



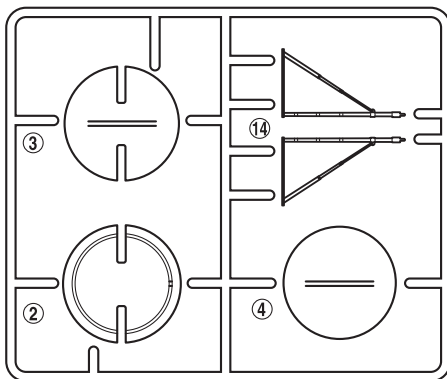
Sprue B



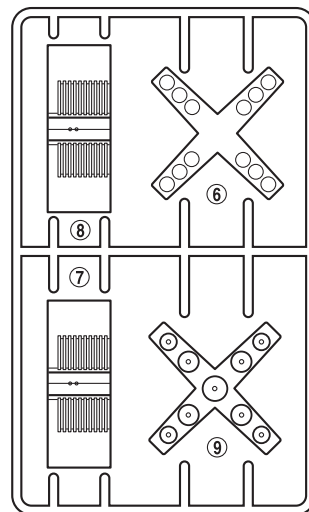
Sprue D



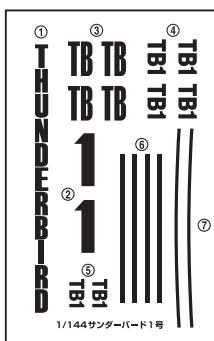
Sprue C



Sprue E



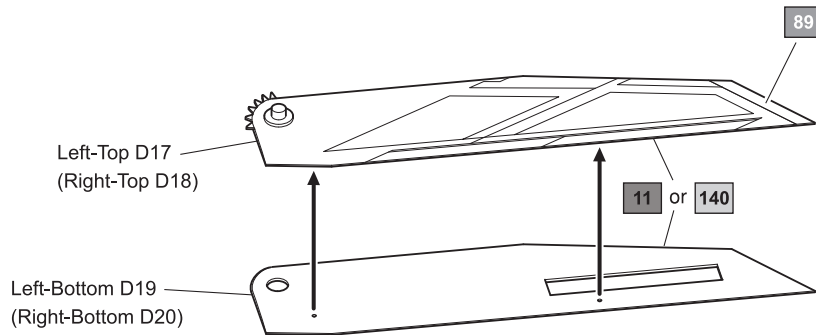
Decal Sheet



Plastic Rods
 X4

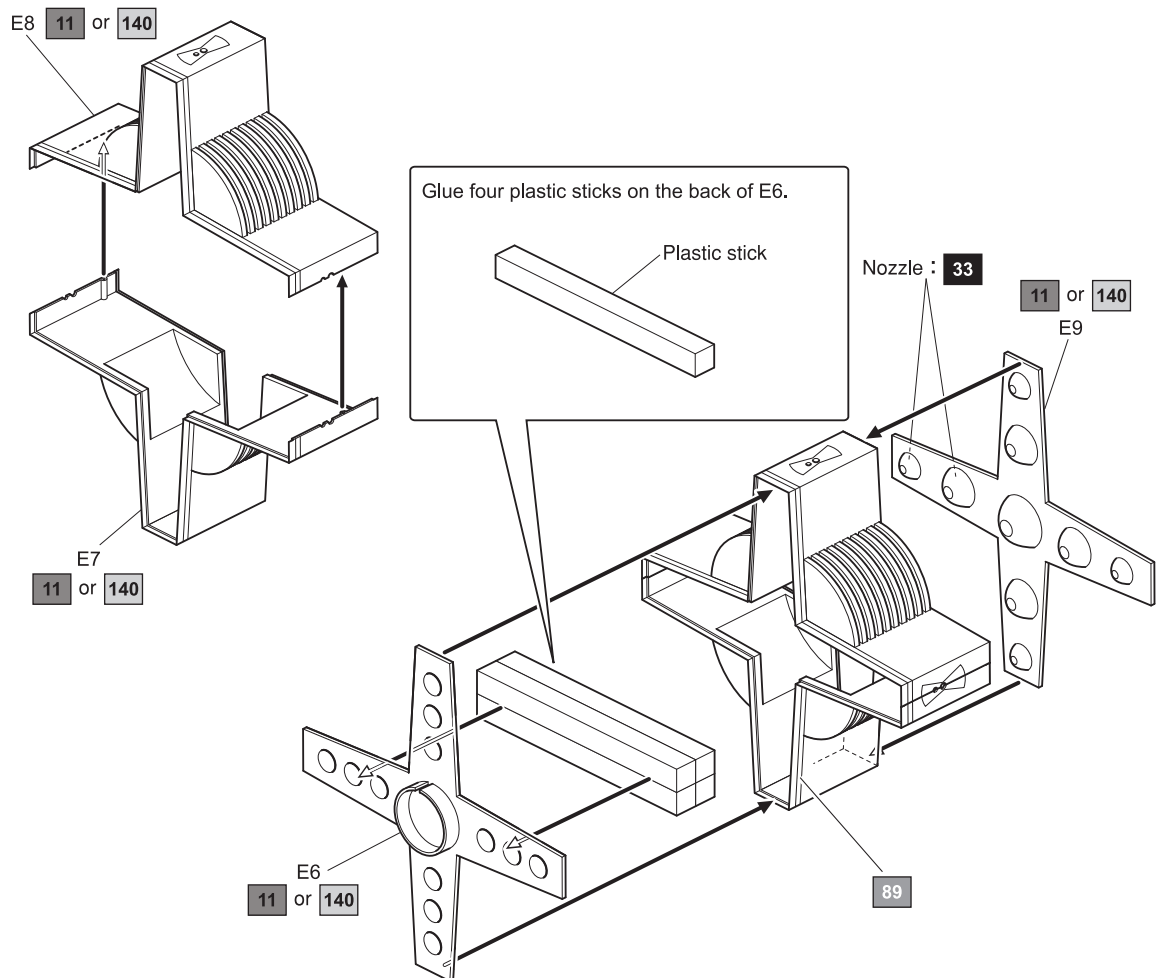
1 Wing assembly

Assemble right and left.



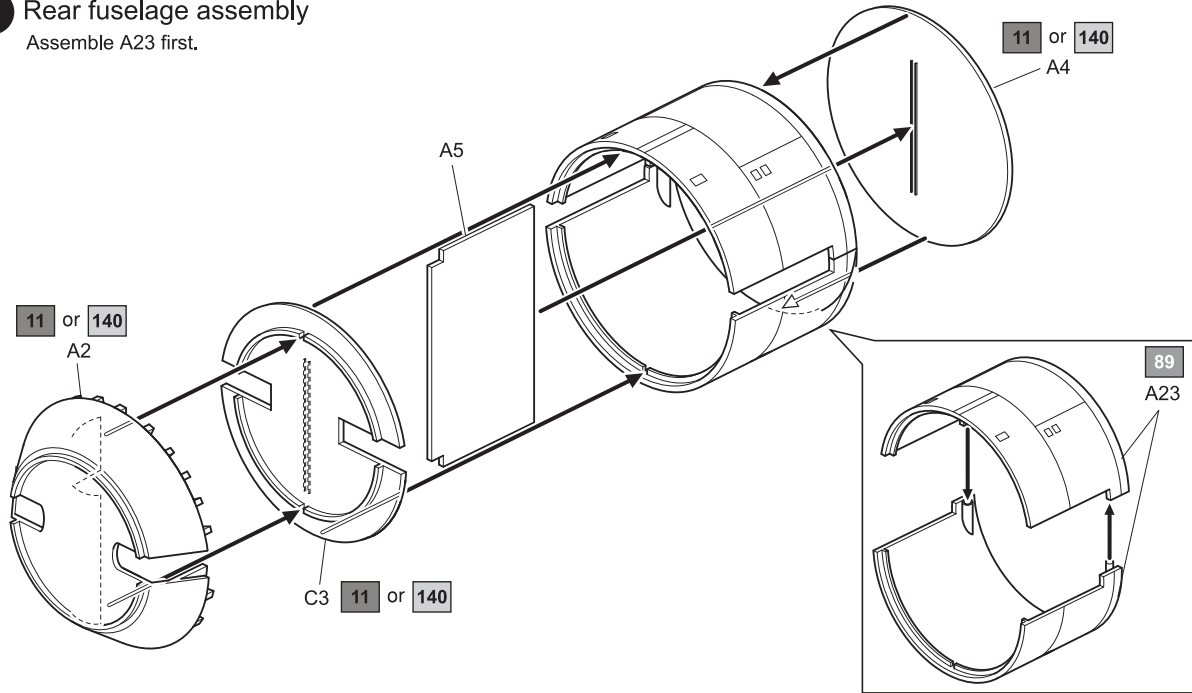
2 Engine block assembly

Assemble E7 and E8 first.



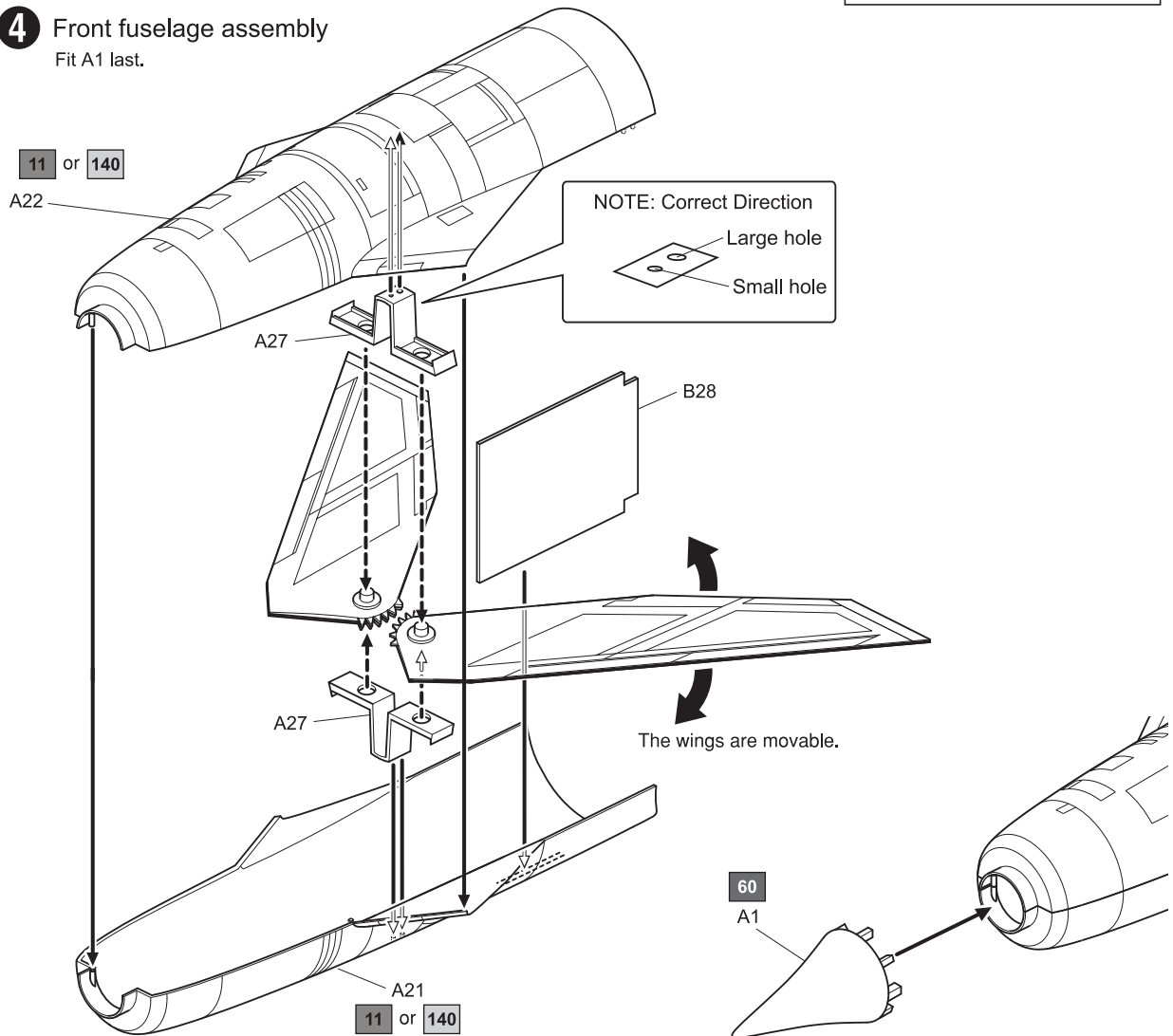
3 Rear fuselage assembly

Assemble A23 first.



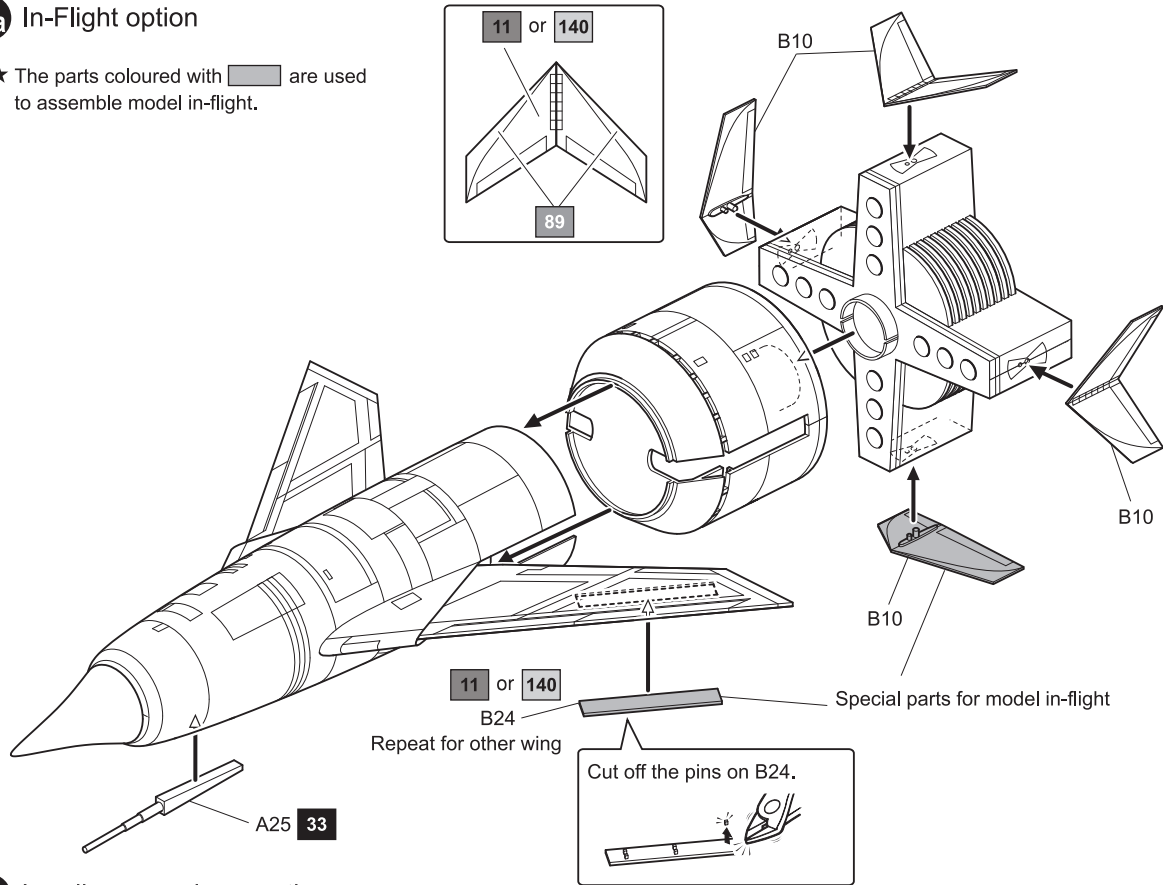
4 Front fuselage assembly

Fit A1 last.

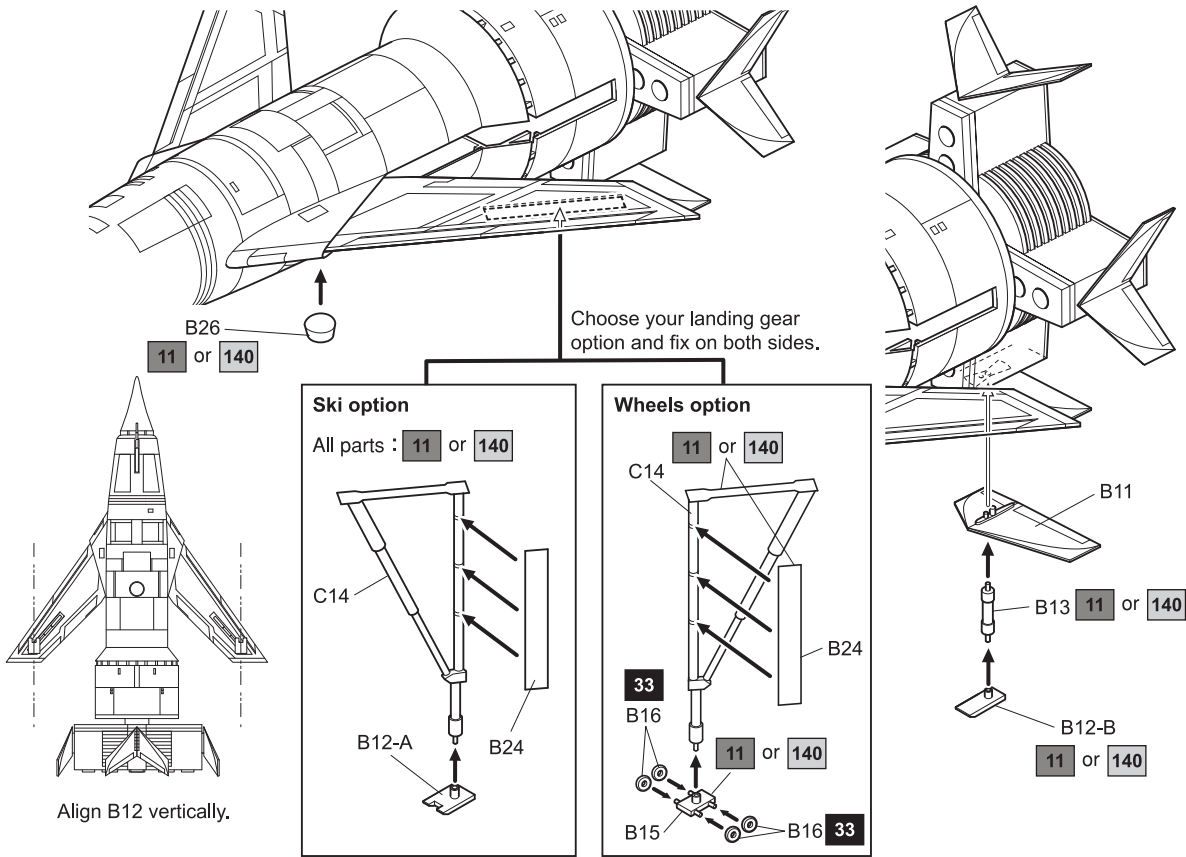


5a In-Flight option

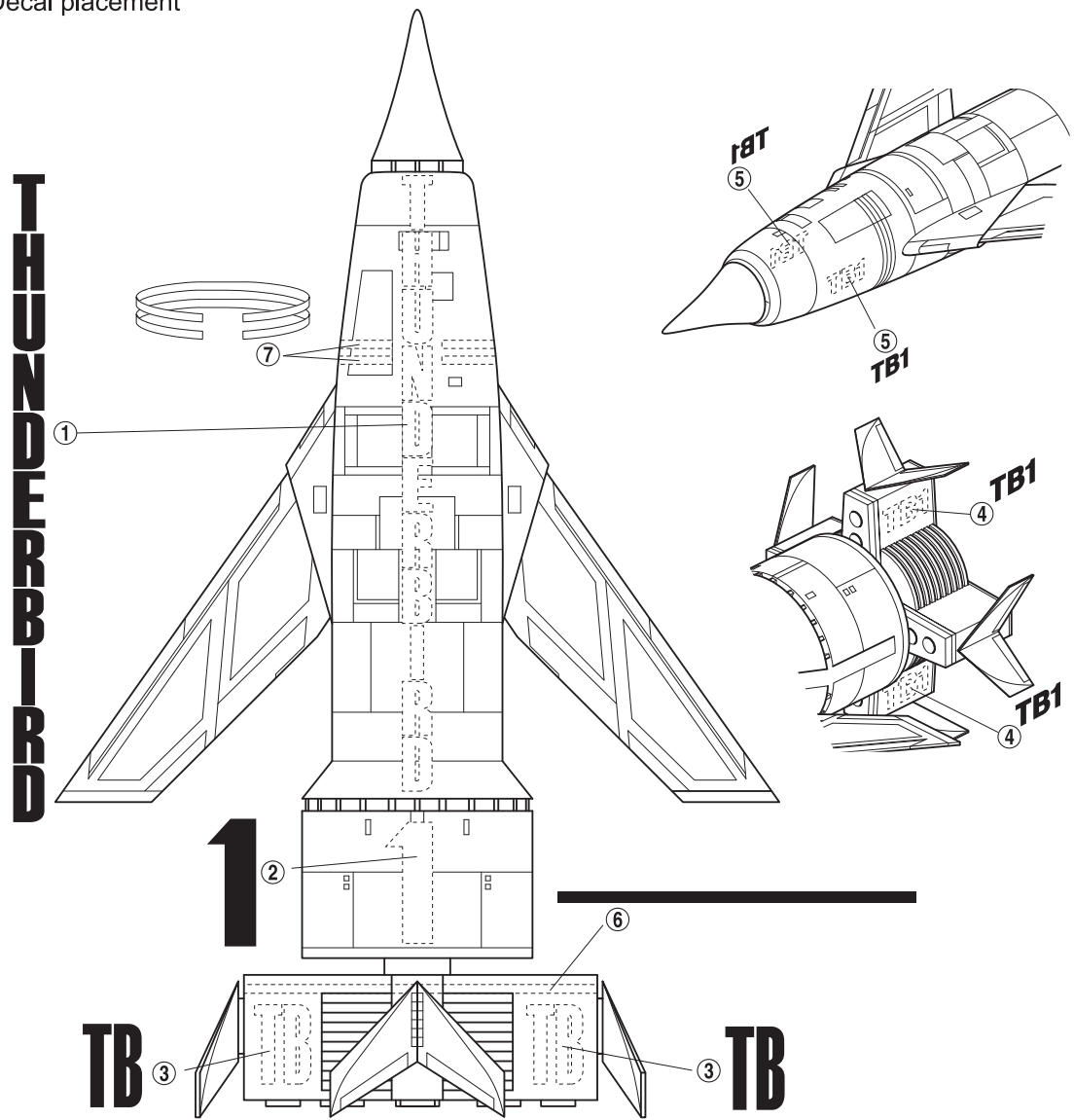
★ The parts coloured with are used to assemble model in-flight.



5b Landing gear down option



6 Decal placement



5, 4, 3, 2, 1... check out the rest of the range!

