

Thank you for your choice of the Bachmann Branchline Stanier 'Jubilee' 4-6-0 locomotive.

### Running in

The mechanism of this model requires running in (without a load) for approximately 1 hour in each direction at moderate speed.

### Curves

Bachmann Branchline locomotives are not suitable for use on track tighter than second radius (approx. 18 inches / 450 mm).

### Body removal

Remove the two screws at front and back of the chassis as indicated on the diagram.

### DCC Decoder fitting to non DCC fitted loco

This model has an 8-pin NMRA/NEM socket for a decoder with an appropriate plug. The plug should be aligned so that Pin 1 (Orange wire) is aligned to the mark on the PCB. Note that the locomotive will run backwards if the decoder is reversed. The decoder fits in the smokebox cavity space.

We recommend that the running in as above be carried out using a DC power supply before moving on to fit a DCC decoder.

### Lubrication

When required, sparingly lubricate the motor bearings using plastic compatible light oil and the gear train with model grease.

### Add-on detail parts.

The cylinder draincocks, vacuum pipes, front footsteps and cab doors fit as shown. The parts may not be suitable for use on tight curves - check before fitting permanently.

### Replacement parts

When ordering parts please quote the catalogue number together with the livery of the model (if appropriate) and number of the part required. Parts are subject to availability.

Packets of couplers (item 36-030) and buffers (item 36-032) suitable for this model are available from retailers.

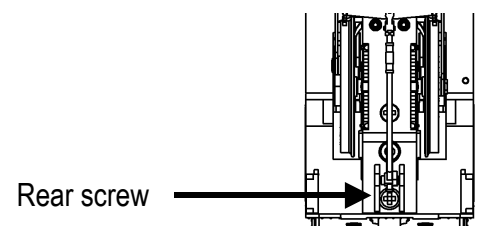
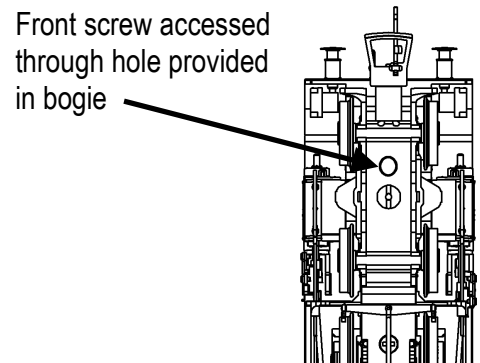
**The model should be handled carefully as it has many finely detailed parts. It is not suitable for persons under 14 years.**

### Bachmann Europe Plc

Moat Way, Barwell, Leicestershire, LE9 8EY  
01455 841756

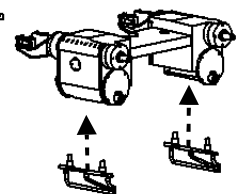
[www.bachmann.co.uk](http://www.bachmann.co.uk)

Jubilee rev 1 10/07  
E3175-ISO001

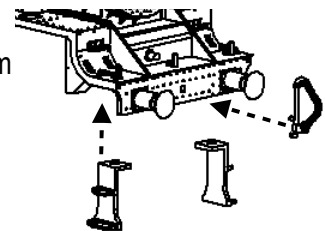


### Add-on parts

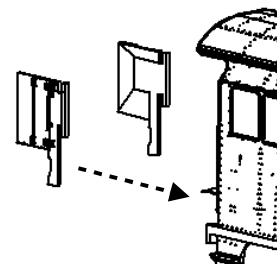
Cylinder Draincocks



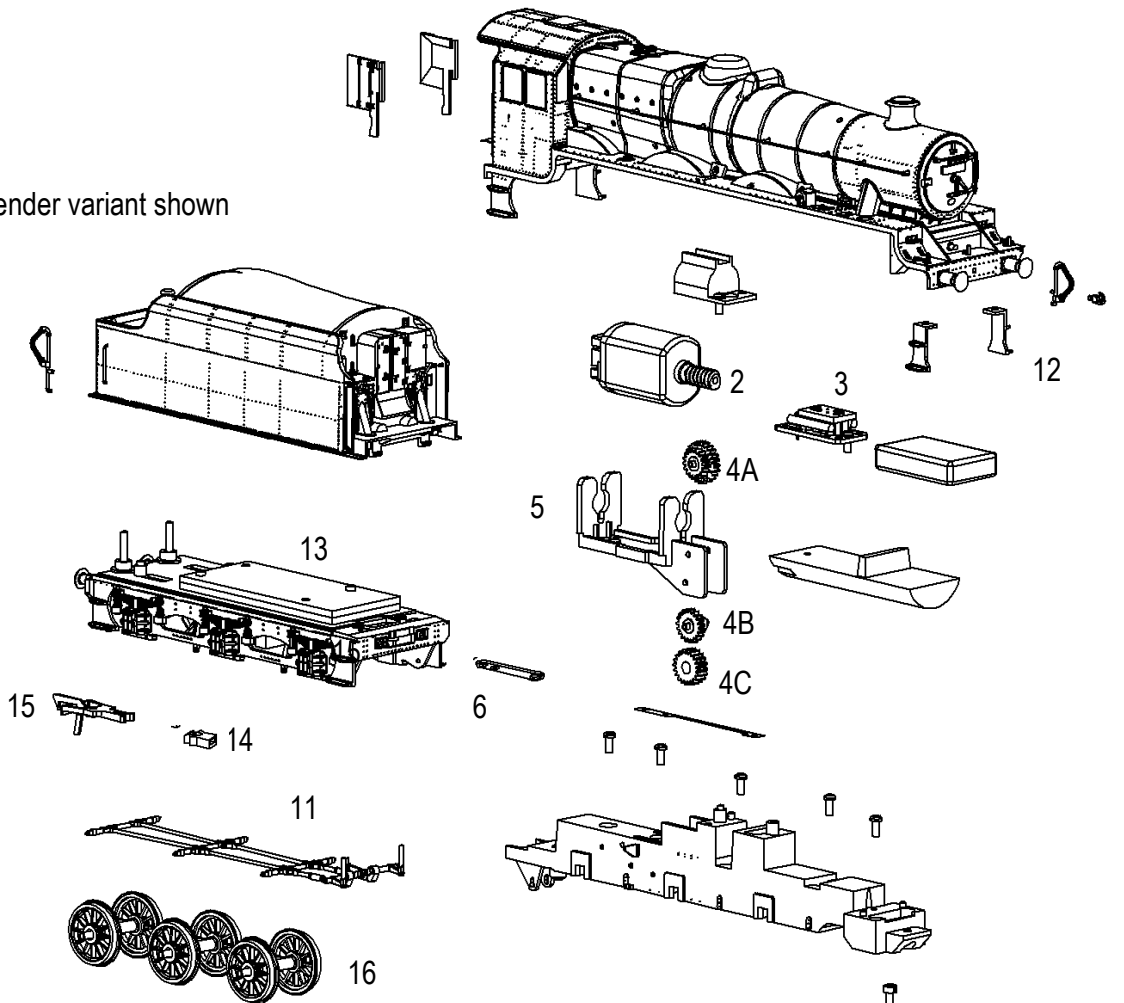
Front steps and vacuum pipe



Cab doors

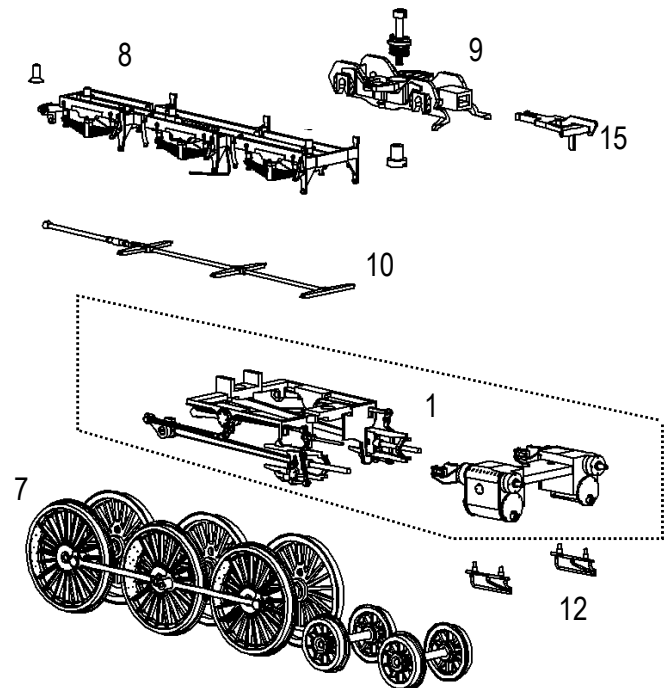


Stanier tender variant shown



## Parts

- 1 175-103 cylinders /valve gear
- 2 175-106 motor
- 3 350-004 circuit board
- 4 175-112 gears
- 5 175-113 motor bracket
- 6 250-130 drawbar
- 7 175-117 driving wheels
- 8 175-118 baseplate
- 9 175-121 front bogie
- 10 175-122 loco brake rigging
- 11 175-123 Stanier tender brake rigging  
175-029 Fowler tender brake rigging
- 12 175-124 accessory pack
- 13 175-127 Stanier tender underframe  
175-015 Fowler tender underframe
- 14 BL2006 NEM pocket
- 15 BL1999 coupling
- 16 175-027 tender wheels





# Stanier Jubilee Class 4-6-0 Locomotive

