

Thank you for your choice of the Graham Farish Class 08 diesel locomotive.

### Running in

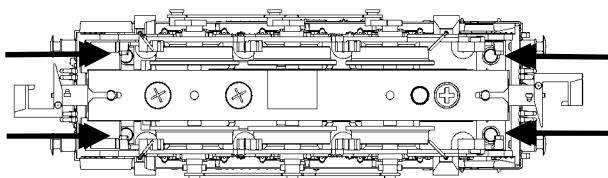
The mechanism of this model requires running in (without a load) for approximately 1 hour in each direction at moderate speed.


### Curves

This locomotive is suitable for use on track with curves of first radius (**approx. 9 inches / 225 mm**) or greater

### Body removal

Remove the four screws, two each end of the chassis, as indicated on the diagram.



 Take care to remove the conduit wire from the bonnet end lamps from the front step

### Lubrication

When required, sparingly lubricate the motor bearings and gear train using plastic compatible light oil. Suitable lubricants are Bachmann E-Z Lube item 99984 or Woodland Scenics 'HobbyLube' Lite Oil item HL654.

### Bachmann Europe Plc

Moat Way, Barwell, Leicestershire, LE9 8EY

01455 841756

[www.bachmann.co.uk](http://www.bachmann.co.uk)

Class 08 rev 1 06/08

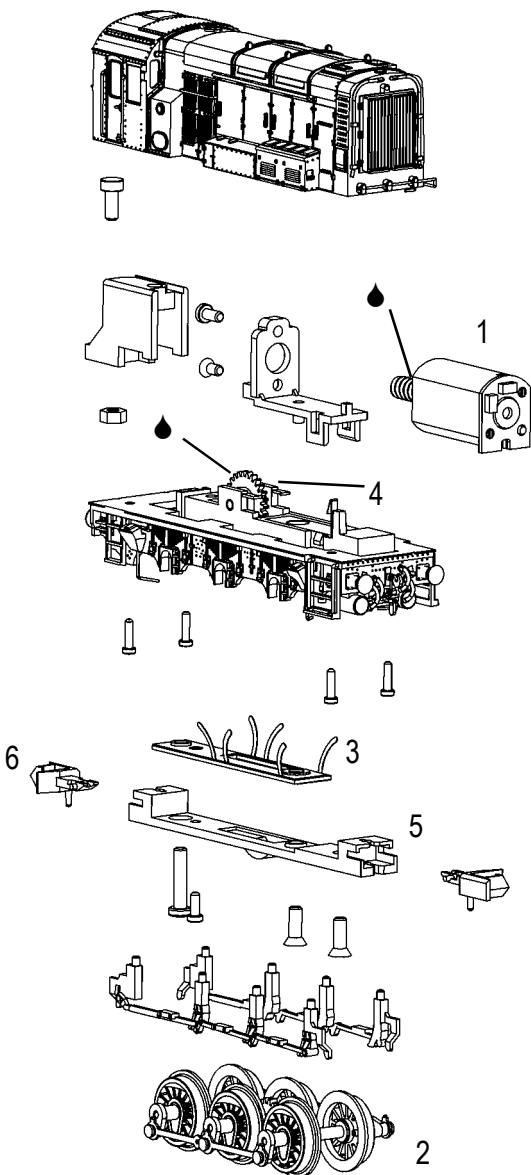
F7101-ISO01

## Parts

- 1 Motor
- 2 Driving wheels
- 3 Pickups
- 4 Gears
- 5 Loco baseplate
- 6 Couplings

When ordering parts please quote the catalogue number together with the livery of the model (if appropriate) and number of the part required.

Parts are subject to availability.



The model should be handled carefully as it has many finely detailed parts. It is not suitable for persons under 14 years