

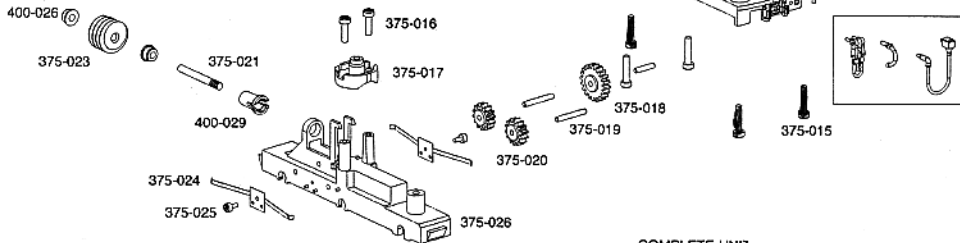
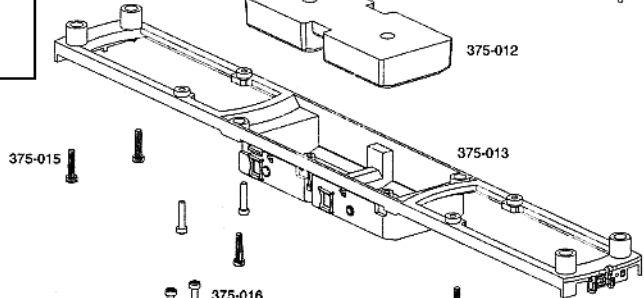
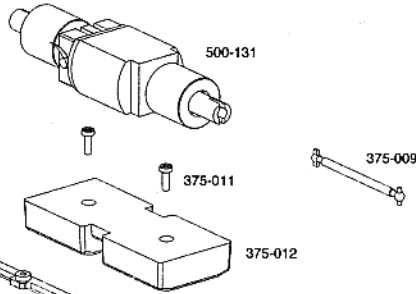
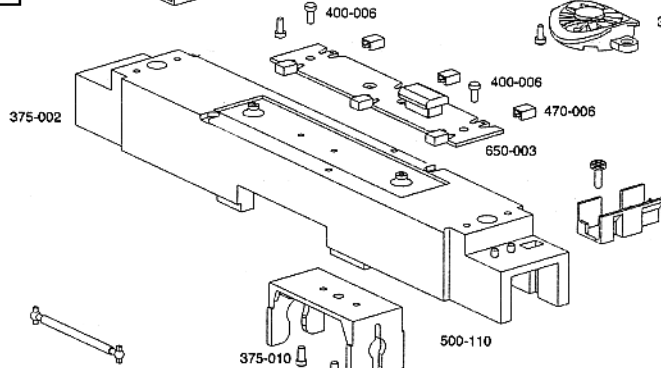
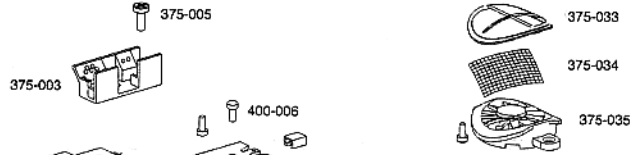
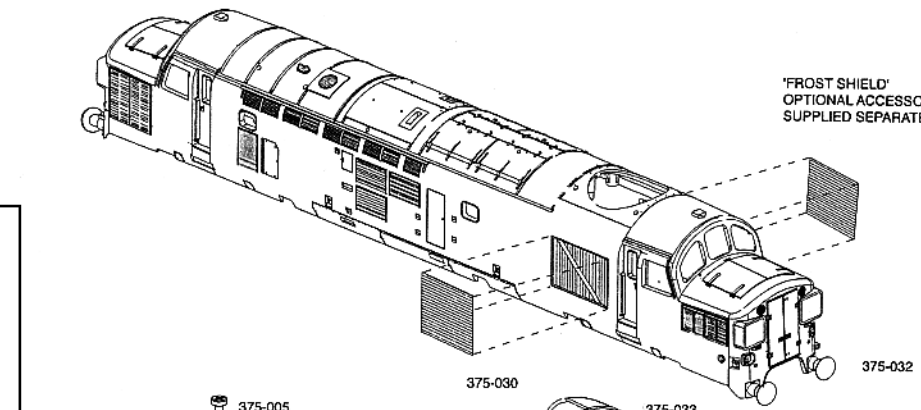


# CLASS 37/0 DIESEL LOCOMOTIVE

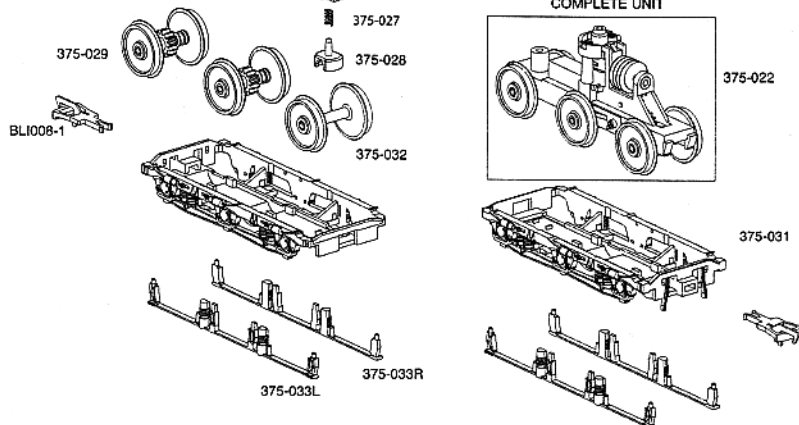
'FROST SHIELD'  
OPTIONAL ACCESSORY PARTS,  
SUPPLIED SEPARATELY

## Important!

When ordering any replacement parts please ensure you quote the appropriate catalogue number of your Bachmann Locomotive in addition to the number of the part required



375-014  
OPTIONAL  
ACCESSORIES PARTS,  
SUPPLIED SEPARATELY.



**Please Note**  
  
This type of Drive requires be running-in!  
  
Run for approximately one hour to allow working parts to bed in. Lightly oil the motor, bearings and gears when required.