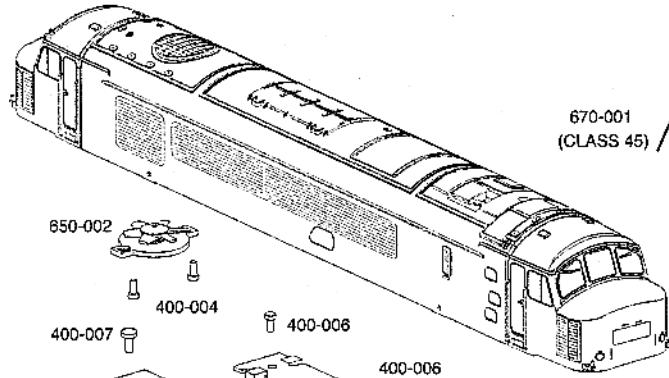
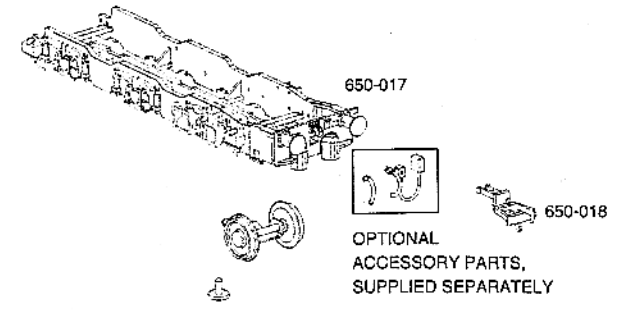
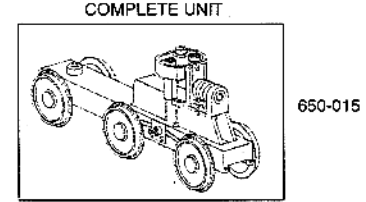
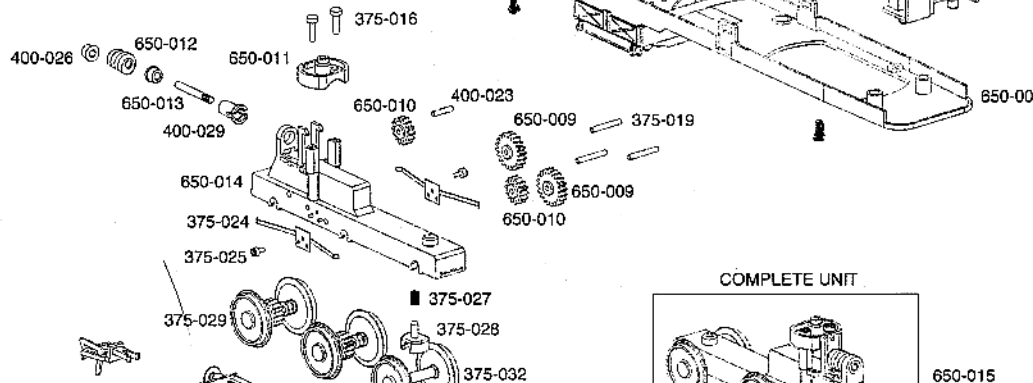
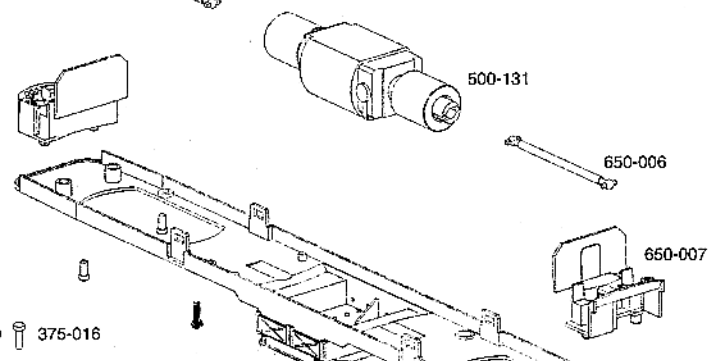
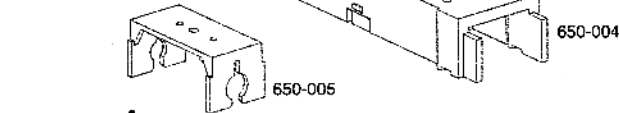
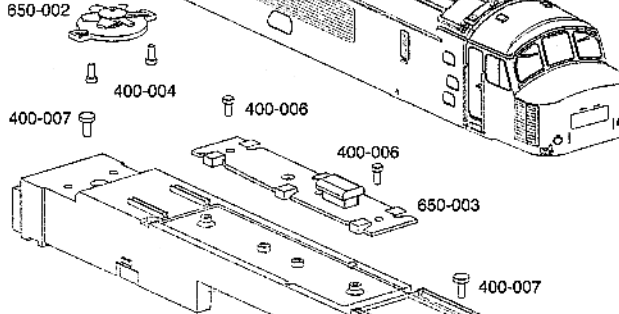


CLASS 45/46 DIESEL LOCOMOTIVE



670-001 / 700-001
(CLASS 45) / (CLASS 46)



Important!
When ordering any replacement parts please ensure you quote the appropriate catalogue number of your Bachmann Locomotive in addition to the number of the part required

Please Note
This type of Drive requires be running-in!
Run for approximately one hour to allow working parts to bed in. Lightly oil the motor, bearings and gears when required.

OPTIONAL ACCESSORY PARTS, SUPPLIED SEPARATELY