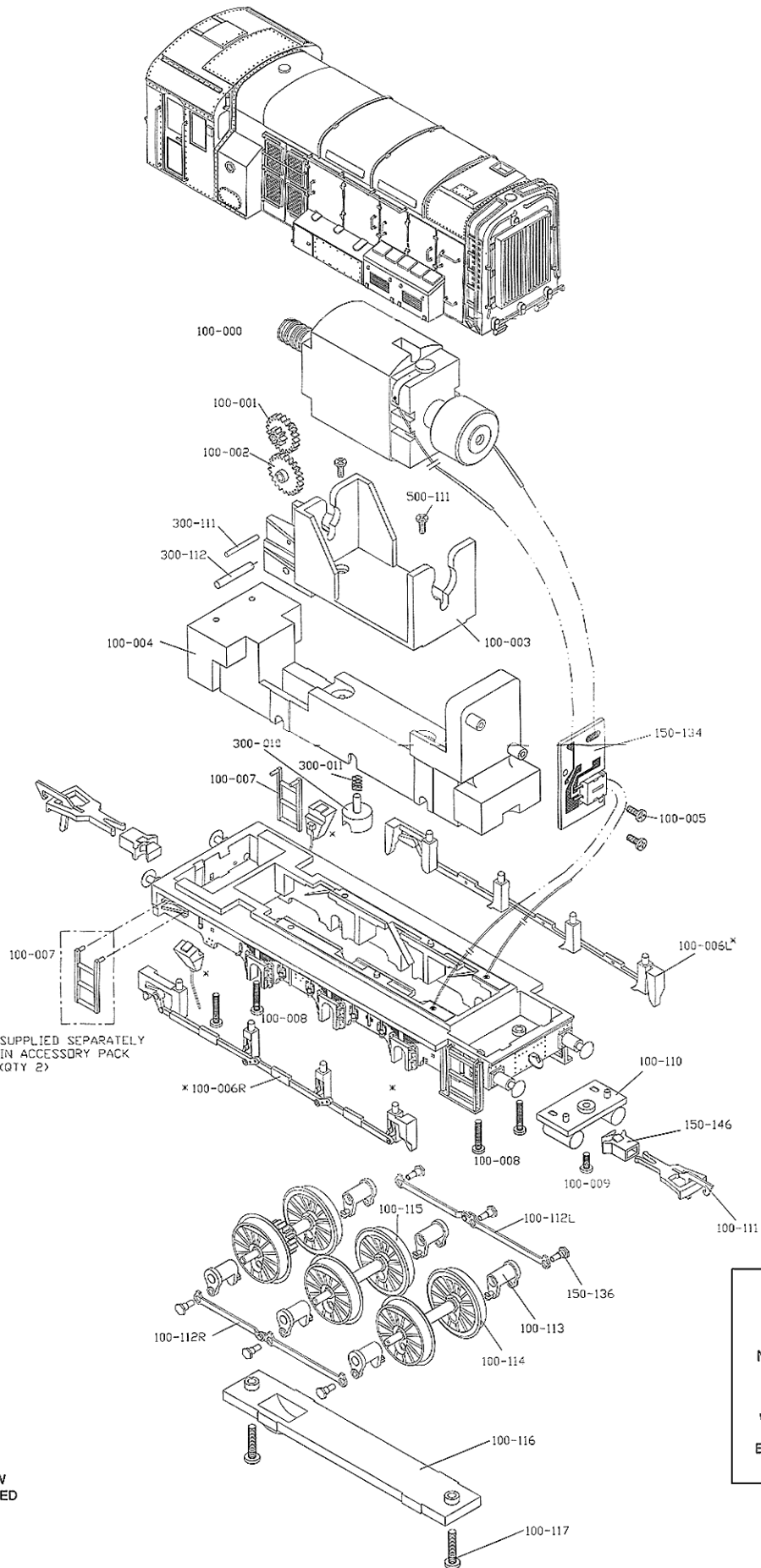


CLASS 08



* NOTE:
 SANDBOXES AND
 BRAKE RODDING PARTS
 MUST BE UNPLUGGED FROM
 THEIR LOCATIONS TO ALLOW
 WHEEL SETS TO BE REMOVED
 FOR MAINTENANCE

PLEASE NOTE
 WE WOULD LIKE TO BRING
 YOUR ATTENTION TO
 RUNNING-IN WHICH IS
 NECESSARY WITH THIS TYPE
 OR DRIVE.
 RUN FOR APPROXIMATELY
 ONE HOUR TO ALLOW
 WORKING PARTS TO BED-IN.
 LIGHTLY OIL THE MOTOR
 BEARINGS AND GEARS WHEN
 REQUIRED.